



# PARTS MANUAL

Models

**EX27**  
**ENGINE**



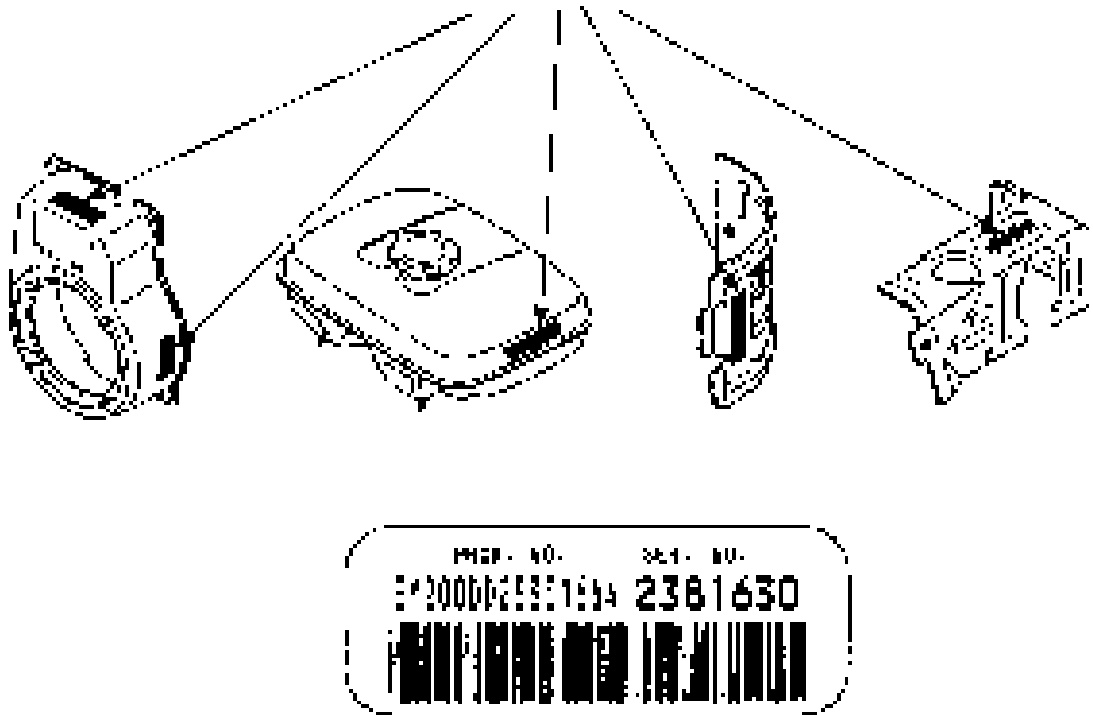


## HOW TO USE THIS MANUAL

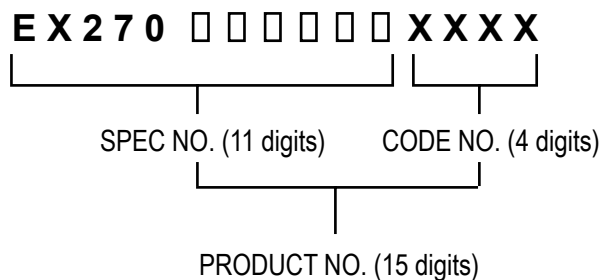
Robin engines are identified by MODEL, SPECIFICATION, and CODE NUMBER. For each model there may be many different versions called specifications. Each specification will be unique in some way. The difference may only be the paint color or it may have a different type of PTO or some other significant difference.

In order to identify the correct service part number, it is important to confirm the specification and code numbers for your engine. The specification and code number together are known as the PRODUCT NUMBER.

All Robin 4 cycle engines have a Product Number label similar to the label illustrated below.



The Product Number Label has a 15 digit alphanumeric string that consists of the SPECIFICATION (SPEC) number (11 digits) and the CODE number (4 digits). Please note the illustration below:





1— SECTION 6 FUEL GROUP

2— FIG. 600

3

4

6

7

9

2

REF. NO.	PART NO.	DESCRIPTION	QTY.	REMARKS	FROM-TO	FIG.
1	2101-0001	FUEL GROUP	1	Y 100 1000-1000		10
3	2101-0002	FUEL GROUP	1	Y 100 1000		10
2	2101-0003	FUEL GROUP	1	Y 100 1000		10
5	2101-0004	FUEL GROUP	1	Y 100 1000		10
4	2101-0005	FUEL GROUP	1	Y 100 1000		10
	2101-0006	FUEL GROUP	1	Y 100 1000		10
	2101-0007	FUEL GROUP	1	Y 100 1000		10
	2101-0008	FUEL GROUP	1	Y 100 1000		10
	2101-0009	FUEL GROUP	1	Y 100 1000		10
	2101-0010	FUEL GROUP	1	Y 100 1000		10
	2101-0011	FUEL GROUP	1	Y 100 1000		10
	2101-0012	FUEL GROUP	1	Y 100 1000		10
	2101-0013	FUEL GROUP	1	Y 100 1000		10
	2101-0014	FUEL GROUP	1	Y 100 1000		10
	2101-0015	FUEL GROUP	1	Y 100 1000		10
	2101-0016	FUEL GROUP	1	Y 100 1000		10
	2101-0017	FUEL GROUP	1	Y 100 1000		10
	2101-0018	FUEL GROUP	1	Y 100 1000		10
	2101-0019	FUEL GROUP	1	Y 100 1000		10
	2101-0020	FUEL GROUP	1	Y 100 1000		10
	2101-0021	FUEL GROUP	1	Y 100 1000		10
	2101-0022	FUEL GROUP	1	Y 100 1000		10
	2101-0023	FUEL GROUP	1	Y 100 1000		10
	2101-0024	FUEL GROUP	1	Y 100 1000		10
	2101-0025	FUEL GROUP	1	Y 100 1000		10
	2101-0026	FUEL GROUP	1	Y 100 1000		10
	2101-0027	FUEL GROUP	1	Y 100 1000		10
	2101-0028	FUEL GROUP	1	Y 100 1000		10
	2101-0029	FUEL GROUP	1	Y 100 1000		10
	2101-0030	FUEL GROUP	1	Y 100 1000		10
	2101-0031	FUEL GROUP	1	Y 100 1000		10
	2101-0032	FUEL GROUP	1	Y 100 1000		10
	2101-0033	FUEL GROUP	1	Y 100 1000		10
	2101-0034	FUEL GROUP	1	Y 100 1000		10
	2101-0035	FUEL GROUP	1	Y 100 1000		10
	2101-0036	FUEL GROUP	1	Y 100 1000		10
	2101-0037	FUEL GROUP	1	Y 100 1000		10
	2101-0038	FUEL GROUP	1	Y 100 1000		10
	2101-0039	FUEL GROUP	1	Y 100 1000		10
	2101-0040	FUEL GROUP	1	Y 100 1000		10
	2101-0041	FUEL GROUP	1	Y 100 1000		10
	2101-0042	FUEL GROUP	1	Y 100 1000		10
	2101-0043	FUEL GROUP	1	Y 100 1000		10
	2101-0044	FUEL GROUP	1	Y 100 1000		10
	2101-0045	FUEL GROUP	1	Y 100 1000		10
	2101-0046	FUEL GROUP	1	Y 100 1000		10
	2101-0047	FUEL GROUP	1	Y 100 1000		10
	2101-0048	FUEL GROUP	1	Y 100 1000		10
	2101-0049	FUEL GROUP	1	Y 100 1000		10
	2101-0050	FUEL GROUP	1	Y 100 1000		10
	2101-0051	FUEL GROUP	1	Y 100 1000		10
	2101-0052	FUEL GROUP	1	Y 100 1000		10
	2101-0053	FUEL GROUP	1	Y 100 1000		10
	2101-0054	FUEL GROUP	1	Y 100 1000		10
	2101-0055	FUEL GROUP	1	Y 100 1000		10
	2101-0056	FUEL GROUP	1	Y 100 1000		10
	2101-0057	FUEL GROUP	1	Y 100 1000		10
	2101-0058	FUEL GROUP	1	Y 100 1000		10
	2101-0059	FUEL GROUP	1	Y 100 1000		10
	2101-0060	FUEL GROUP	1	Y 100 1000		10
	2101-0061	FUEL GROUP	1	Y 100 1000		10
	2101-0062	FUEL GROUP	1	Y 100 1000		10
	2101-0063	FUEL GROUP	1	Y 100 1000		10
	2101-0064	FUEL GROUP	1	Y 100 1000		10
	2101-0065	FUEL GROUP	1	Y 100 1000		10
	2101-0066	FUEL GROUP	1	Y 100 1000		10
	2101-0067	FUEL GROUP	1	Y 100 1000		10
	2101-0068	FUEL GROUP	1	Y 100 1000		10
	2101-0069	FUEL GROUP	1	Y 100 1000		10
	2101-0070	FUEL GROUP	1	Y 100 1000		10
	2101-0071	FUEL GROUP	1	Y 100 1000		10
	2101-0072	FUEL GROUP	1	Y 100 1000		10
	2101-0073	FUEL GROUP	1	Y 100 1000		10
	2101-0074	FUEL GROUP	1	Y 100 1000		10
	2101-0075	FUEL GROUP	1	Y 100 1000		10
	2101-0076	FUEL GROUP	1	Y 100 1000		10
	2101-0077	FUEL GROUP	1	Y 100 1000		10
	2101-0078	FUEL GROUP	1	Y 100 1000		10
	2101-0079	FUEL GROUP	1	Y 100 1000		10
	2101-0080	FUEL GROUP	1	Y 100 1000		10
	2101-0081	FUEL GROUP	1	Y 100 1000		10
	2101-0082	FUEL GROUP	1	Y 100 1000		10
	2101-0083	FUEL GROUP	1	Y 100 1000		10
	2101-0084	FUEL GROUP	1	Y 100 1000		10
	2101-0085	FUEL GROUP	1	Y 100 1000		10
	2101-0086	FUEL GROUP	1	Y 100 1000		10
	2101-0087	FUEL GROUP	1	Y 100 1000		10
	2101-0088	FUEL GROUP	1	Y 100 1000		10
	2101-0089	FUEL GROUP	1	Y 100 1000		10
	2101-0090	FUEL GROUP	1	Y 100 1000		10
	2101-0091	FUEL GROUP	1	Y 100 1000		10
	2101-0092	FUEL GROUP	1	Y 100 1000		10
	2101-0093	FUEL GROUP	1	Y 100 1000		10
	2101-0094	FUEL GROUP	1	Y 100 1000		10
	2101-0095	FUEL GROUP	1	Y 100 1000		10
	2101-0096	FUEL GROUP	1	Y 100 1000		10
	2101-0097	FUEL GROUP	1	Y 100 1000		10
	2101-0098	FUEL GROUP	1	Y 100 1000		10
	2101-0099	FUEL GROUP	1	Y 100 1000		10
	2101-0100	FUEL GROUP	1	Y 100 1000		10

- 1. SECTION NAME Parts are broadly classified according to their functions. Refer to the Group Index (table of contents) for respective section name.
- 2. FIG. No. The FIG. number indexes the reference and part numbers to the illustration. Figure numbers that vary only in the tens place (i.e.: 700 and 710) are in a group of the same section (i.e.:Electrical Device Group).
- 3. REF. No. The Reference number identifies the part illustration with the corresponding part number in the part list.
- 4. SUBASSEMBLY SUBASSEMBLY parts of part assembly are listed below the assembly part. The subassembly part reference number is indicated by the number led by "-" such as "-1", "-2".
- 5. PART NUMBER It is the number assigned for sales unit. Use the PART No. when making an order.
- 6. DESCRIPTION It is designation of the part.
- 7. QTY. Quantity of each part used for each product.
- 8. REMARKS This gives a distinctive feature and/or a supplementary comment for the type, the specification, and the part concerned. It also shows part number(s) interchangeable for the part.
- 9. FROM-TO This section shows the CODE No. to indicate the history of progress in which improved parts have been introduced in the product. The FROM-TO CODE No. helps to identify PART No. being employed in the product concerned. See the examples below:
  - The part is used in the product irrespective of CODE No.
  - 2101- The part is used in the products with CODE No. of 2101 and after this number.
  - 2100 The part is used in the products with CODE No. of 2100 and before this number.



## GROUP INDEX

Group Name	Page
CRANKCASE GROUP .....	6
CRANKSHAFT GROUP .....	8
INTAKE and EXHAUST GROUP .....	10
GOVERNOR GROUP .....	14
COOLING and STARTING GROUP .....	16
FUEL, LUBRICANT GROUP .....	18
CARBURETOR GROUP .....	20
ELECTRIC DEVICE GROUP .....	22
ACCESSORY GROUP .....	24

INDEX OF DESCRIPTION SYMBOLS			
SYMBOL	DESCRIPTION	SYMBOL	DESCRIPTION
AY .....	ASSEMBLY	P= .....	PITCH (in mm)
CP .....	COMPLETE	P.T.O. (PTO) .....	POWER TAKE OFF
EX .....	EXPORT (from Japan)	REF .....	REFERENCE
FIG .....	FIGURE	R.H. (RH) .....	RIGHT HAND SIDE
FR .....	FRONT	RR .....	REAR
" .....	INCH	STD. ....	STANDARD
INCL. ....	INCLUDE	SW .....	SWITCH
~L .....	LITER	T= .....	THICKNESS (in mm)
L= .....	LENGTH (in. mm)	UN .....	UNIT
L.H. (LH) .....	LEFT-HAND SIDE	U.S. ....	UNDER SIZE
MECH .....	MECHANICAL	~V .....	VOLTAGE
NO (NON) .....	NONE	~W .....	WATT
OPT .....	OPTIONAL	W/ .....	WITH
O.S. ....	OVER SIZE	W/O .....	WITHOUT

SECTION 1 CRANKCASE GROUP



FIG. 100

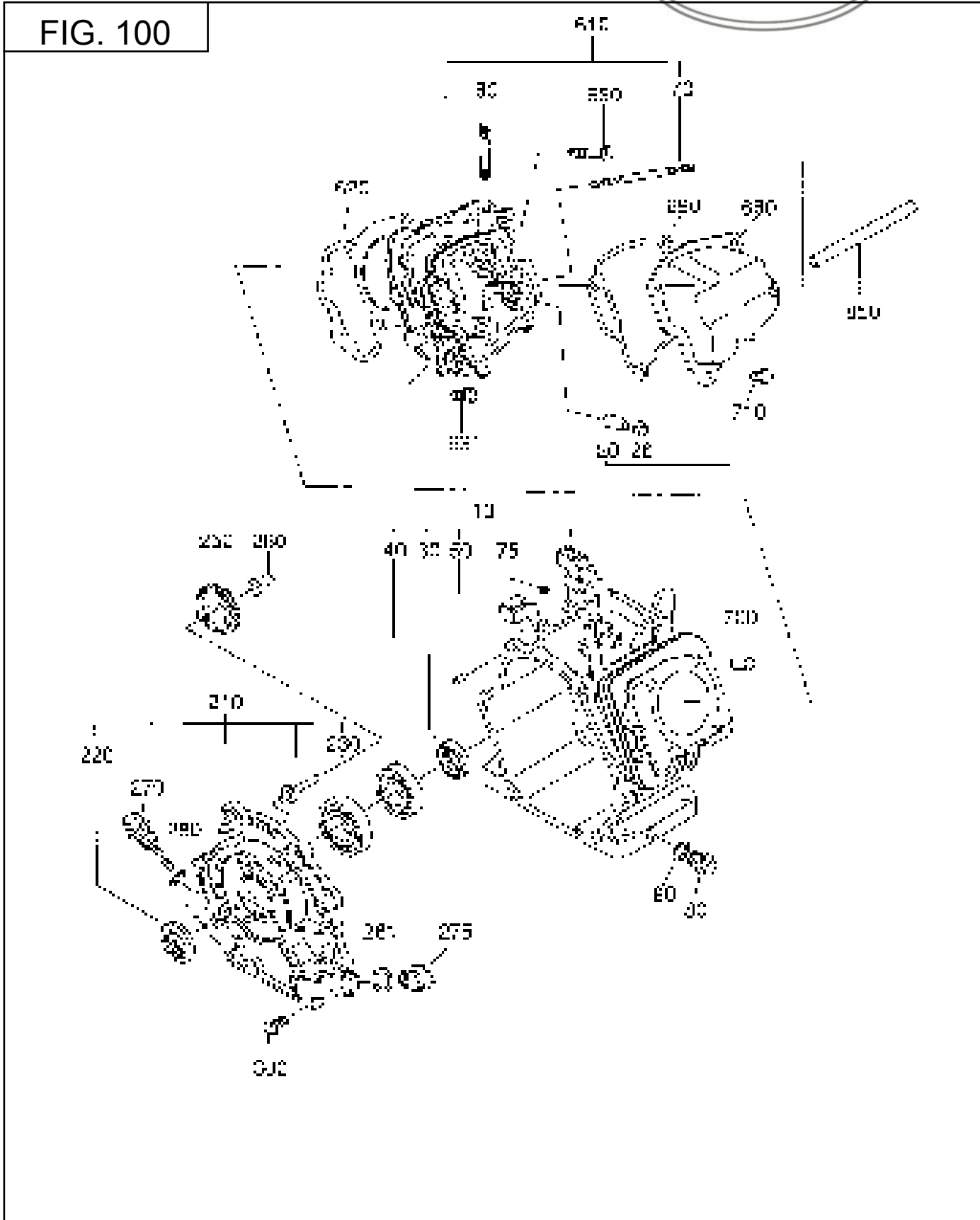






FIG. 200

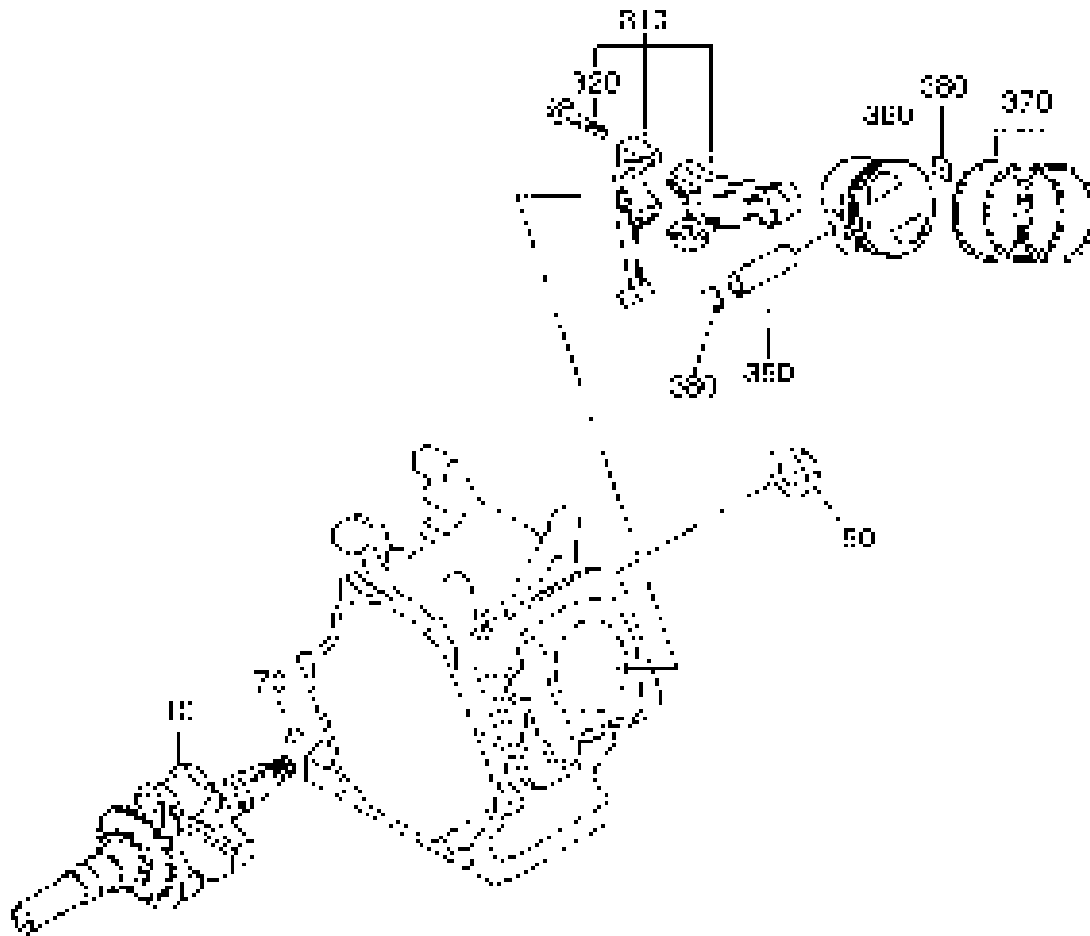








FIG. 300

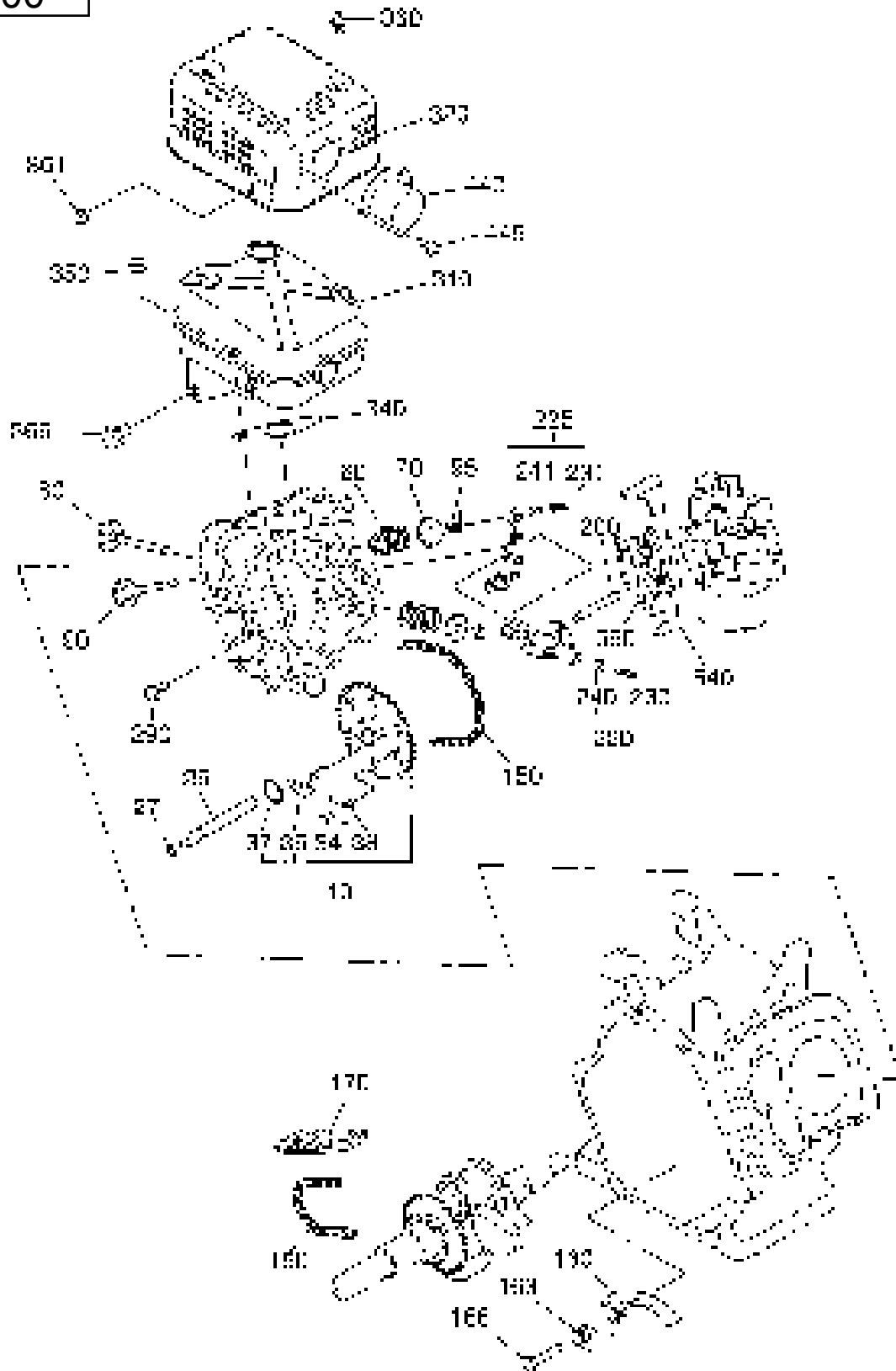
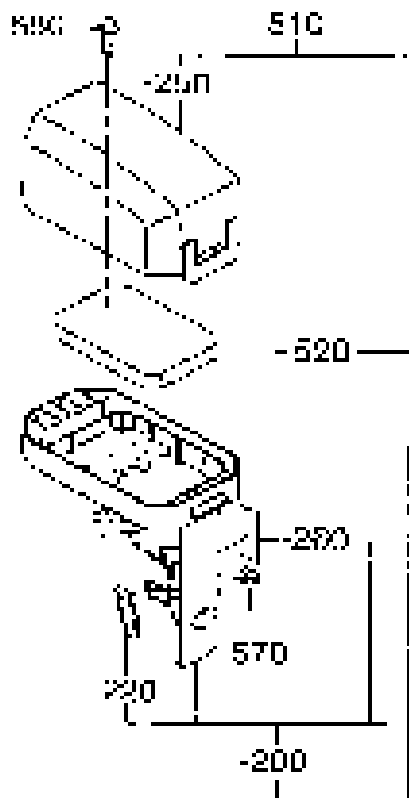




FIG. 310

**A**



**B**

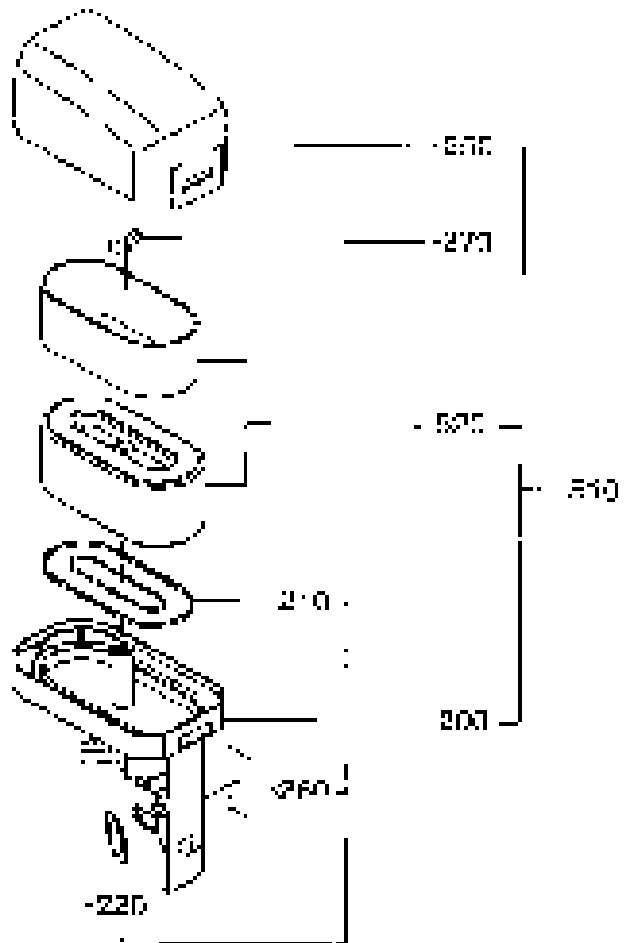






FIG. 320

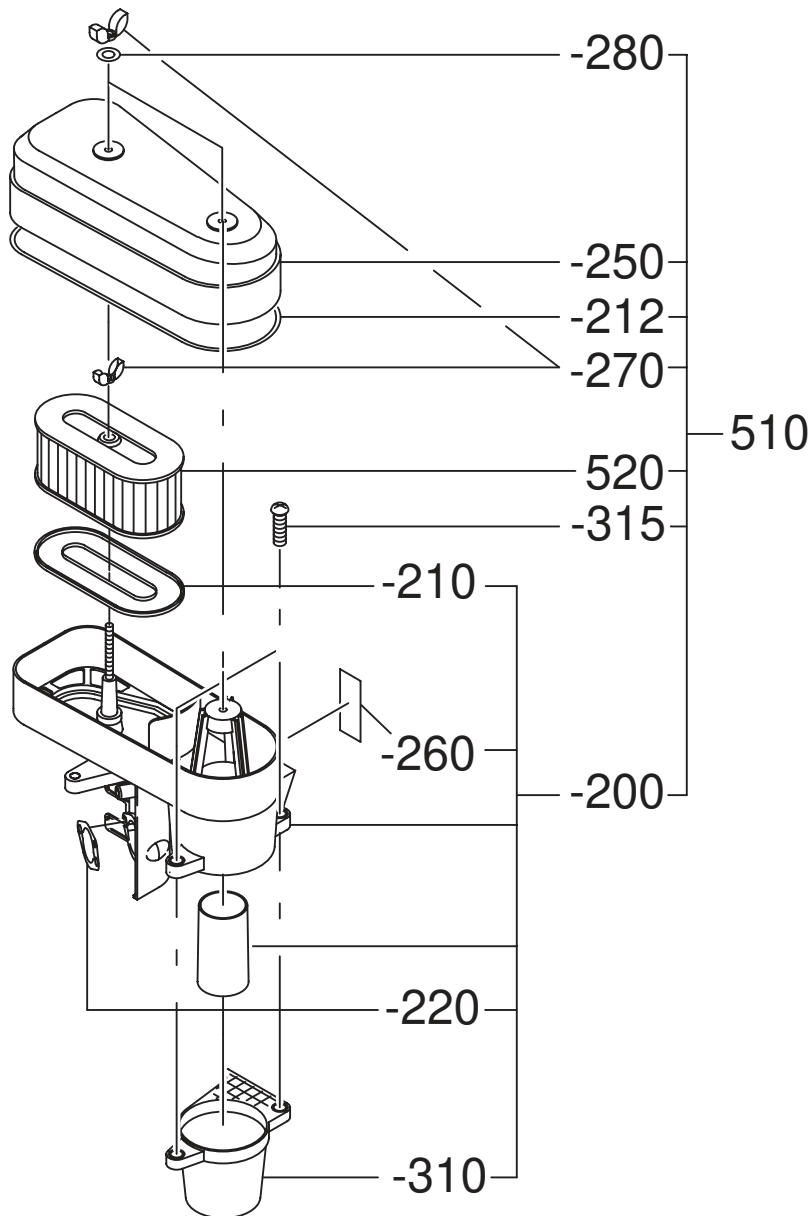






FIG. 400

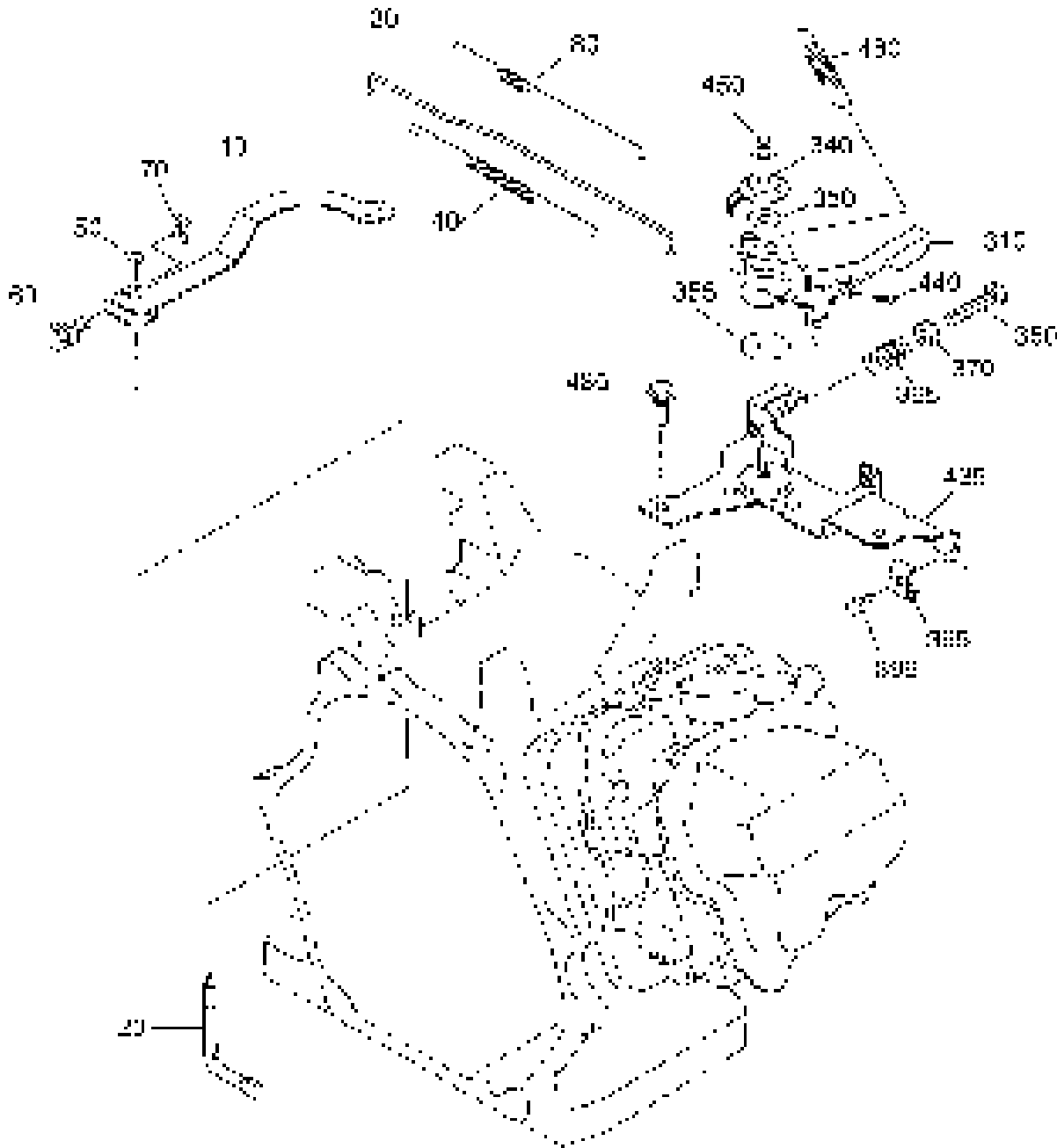








FIG. 500

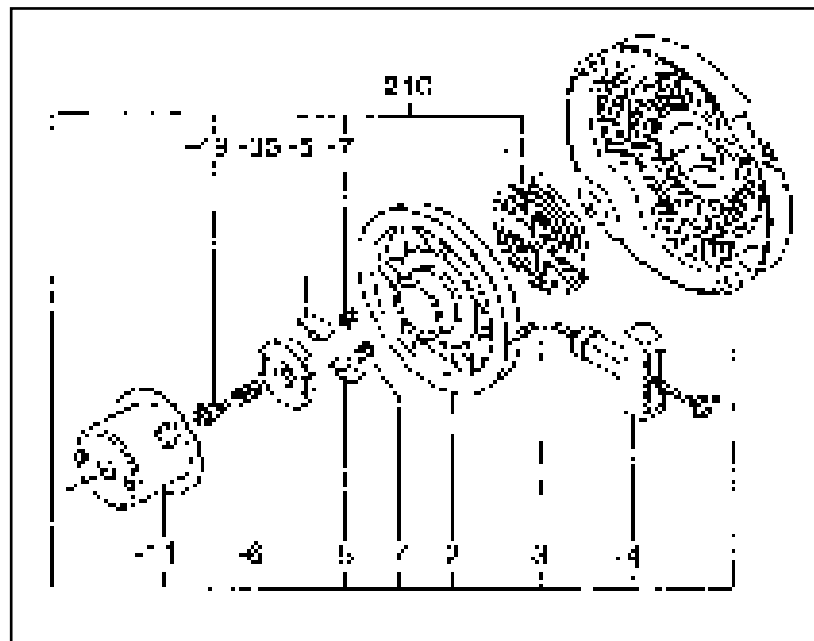
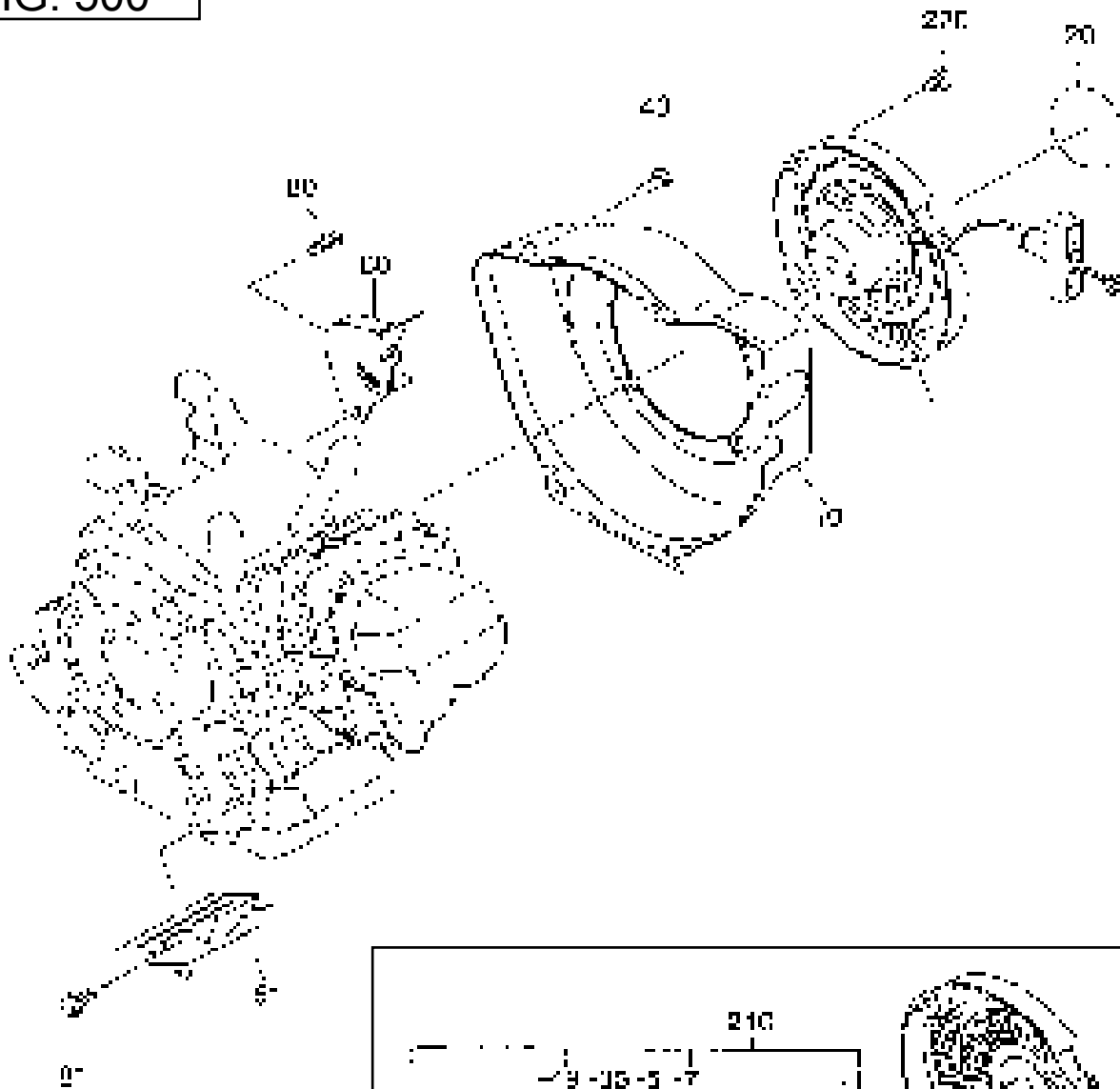






FIG. 600

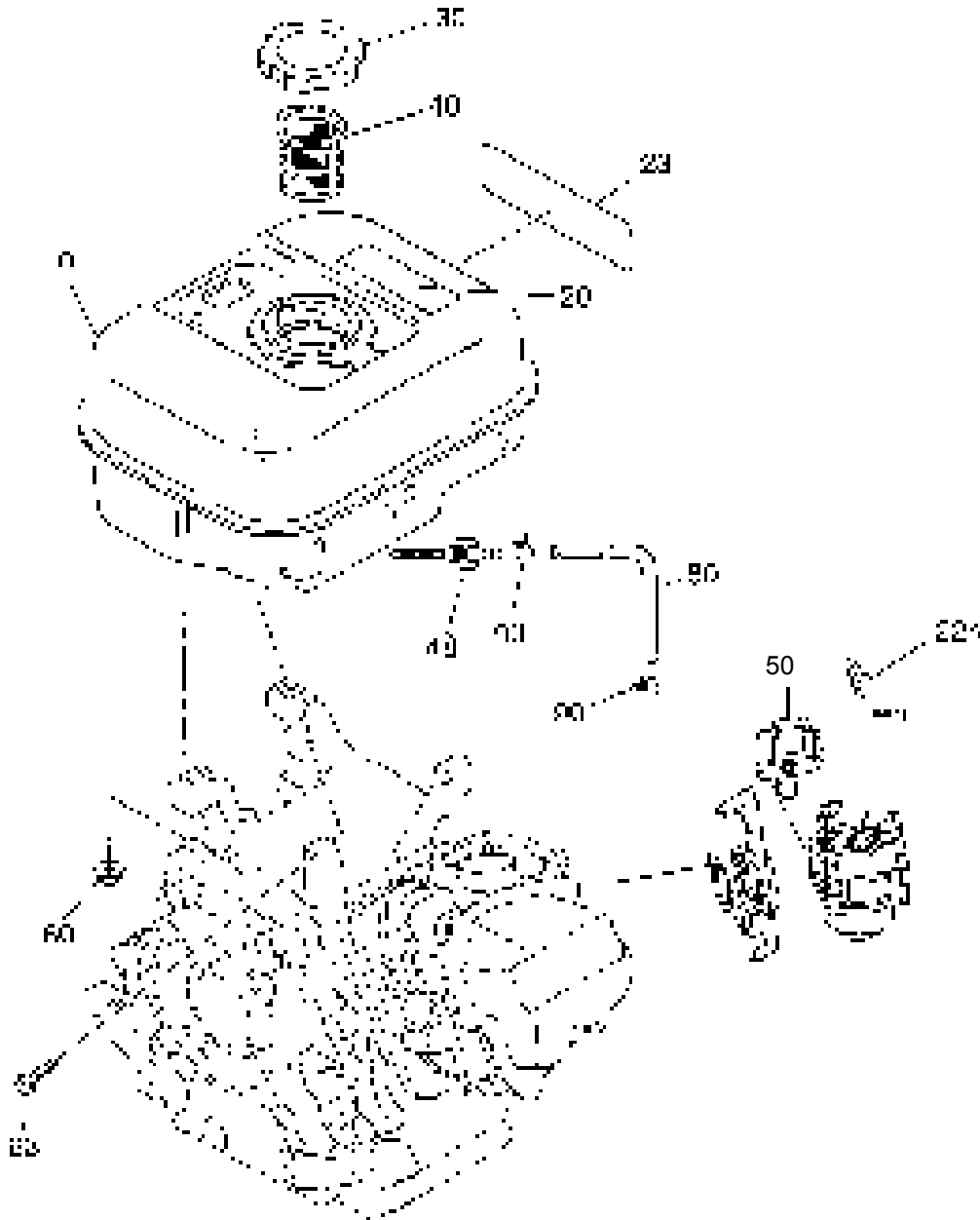






FIG. 610

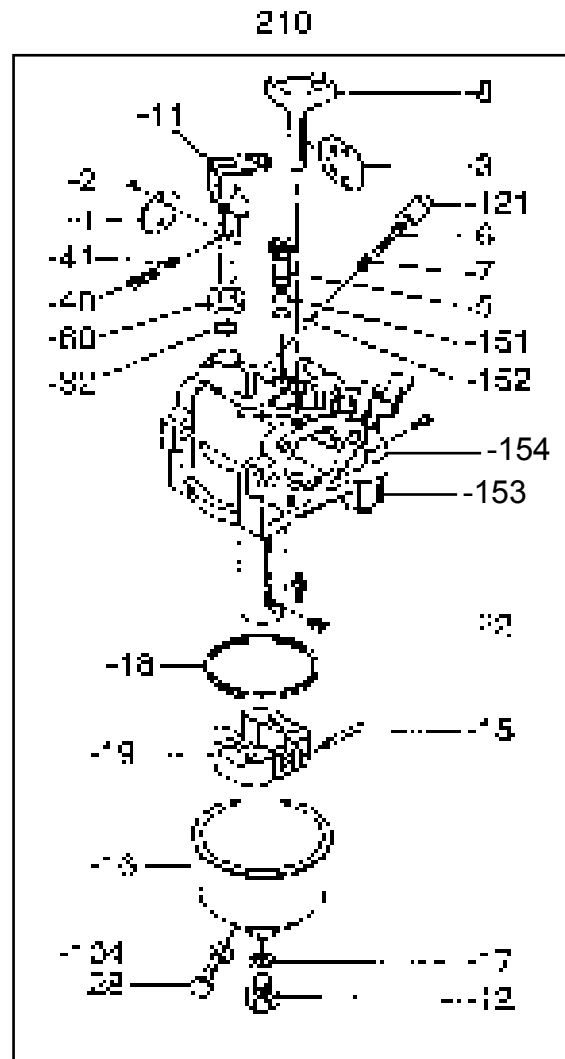






FIG. 700

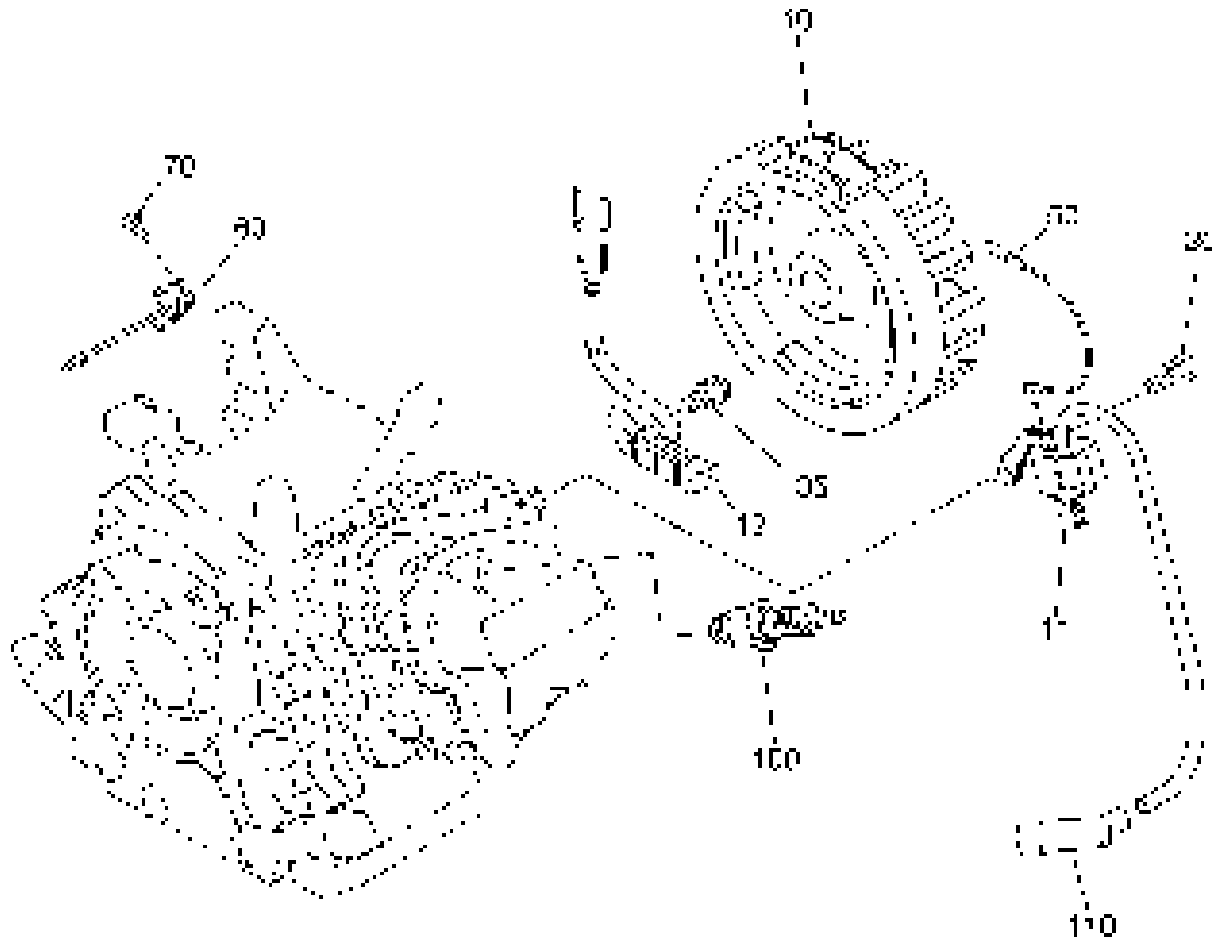






FIG. 710

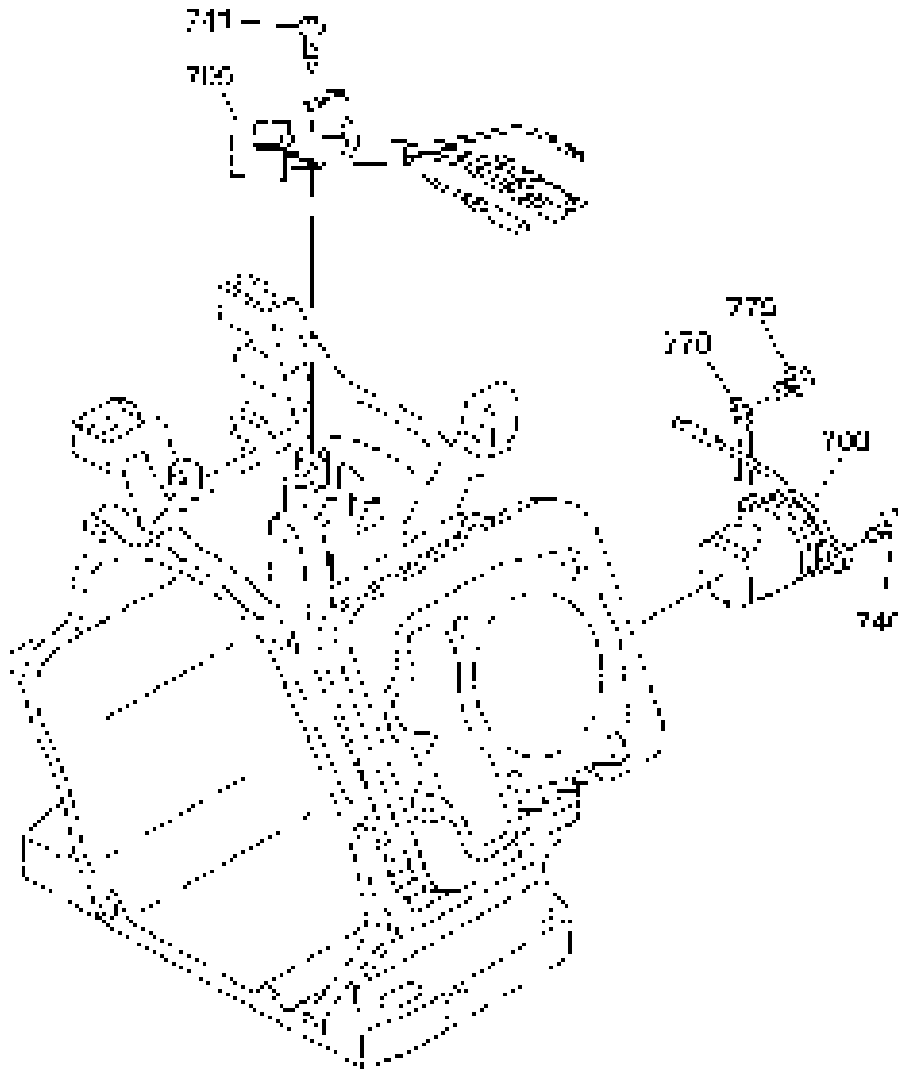






FIG. 900

